



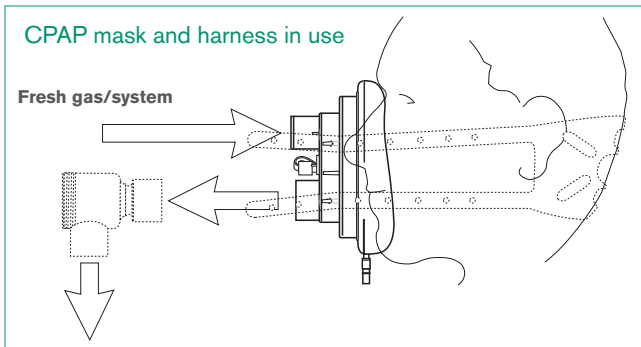
## Twin-ported CPAP mask and harness



Critical Care ▪ Patient Interfaces

## CPAP mask and harness

The Intersurgical twin-ported CPAP mask offers a comfortable interface to the patient and is available in two sizes: small and medium/large adult. The soft anatomically shaped cushion will comfortably fit a wide range of patient faces. A number of other key benefits are highlighted below.



### Flutter valves

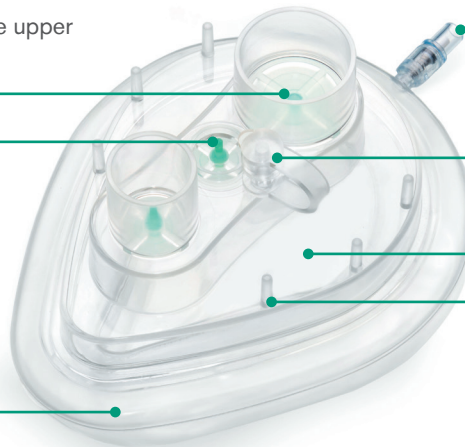
To ensure the patient inhales through the upper port and exhales through the lower port

### Safety flutter valves

To allow the patient to breathe if there is an occlusion, or the patient 'outstrips' the set flow

### Soft anatomical cushion

Comfortable fit for a wide range of patient profiles



### Cushion valve

To allow for adjustment of cushion pressure for improved comfort and fit

### Monitoring port

To allow connection of supplemental oxygen or monitoring

### Clear, strong mask

To allow for easy patient assessment

### Six fixing points

To optimize the seal when using the Intersurgical harness

illustrated

Code	Description	Box Qty.
2222000	Twin ported CPAP mask adult, medium/large	12
2221000	Twin ported CPAP mask adult, small	12
2224000	Harness for CPAP mask adult, medium/large	12
2223000	Harness for CPAP mask adult, small	12



Please recycle

IS1.7 NL ▪ Issue 3 02.18